

**Patons**  
Classic Wool

**Patons**  
DECOR



## AT EASE

### SIZES

#### Bust measurement

Small	30-32 ins [ 76-81 cm ]
Medium	34-36 ins [ 86-91 cm ]
Large	38-40 ins [ 97-102 cm ]
Extra-Large	42-44 ins [ 107-112 cm ]

#### Finished bust

Small	35½ ins [ 89 cm ]
Medium	38½ ins [ 98 cm ]
Large	42 ins [ 107 cm ]
Extra-Large	46 ins [ 117 cm ]

### TENSION

19 sts and 36 rows = 4 ins [10 cm] in garter st.

### MATERIALS

Patons Classic Wool (100 g/3.5 oz)  
or Patons Décor (100 g/3.5 oz)

Size	S	M	L	XL	
(Beige)	4	4	5	5	balls

Size 4.5 mm (U.S. 7) knitting needles  
or size needed to obtain tension.  
5 buttons. Small quantity of White  
yarn for whip-stitch embroidery.

### INSTRUCTIONS

*The instructions are written for smallest size. If changes are necessary for larger sizes the instructions will be written thus ( ).*

#### BACK

Cast on 84 (92-100-110) sts.  
Knit 7 rows (garter st) noting that first row is WS.

**Shape sides: 1st row:** (RS). K1. K2tog. Knit to last 3 sts. Sl1. K1. pss0. K1. Knit 5 rows even.  
Rep last 6 rows 4 times more. 74 (82-90-100) sts.

Cont even in garter st until work from beg measures 4 (4-4-4½) ins [10 (10-10-11.5) cm] ending with RS facing for next row. Place a marker at each end of last row.

Knit 6 rows even.

**Shape sides: 1st row:** Inc 1 st in first st. Knit to last 2 sts. Inc 1 st in next st. K1.

Knit 7 rows even.

Rep last 8 rows 4 times more. 84 (92-100-110) sts.

Cont even until work from marker measures 6 (6½-6½-6½) ins [15 (16.5-16.5-16.5) cm] ending with RS facing for next row.

**Armhole shaping:** Cast off 3 (5-6-8) sts beg next 2 rows. Dec 1 st each end of needle on next and following 7 (8-10-12) alt rows. 62 (64-66-68) sts.

Cont even until armhole measures 8 (8½-8½) ins [20.5 (20.5-21.5-21.5) cm] ending with RS facing for next row.

**Neck shaping: Next row:** K21 (21-22-22) (neck edge). **Turn.** Leave rem sts on a spare needle.

Dec 1 st at neck edge on next 4 rows. 17 (17-18-18) sts.

Work 1 row even. Cast off.

With RS of work facing, join yarn to rem sts. Cast off next 20 (22-22-24) sts. Knit to end of row.

Dec 1 st at neck edge on next 4 rows. 17 (17-18-18) sts.

Work 1 row even. Cast off.

#### LEFT FRONT

\*\*Cast on 2 sts.

**1st row:** (WS). Knit.

**2nd row:** Inc 1 st in first st. K1.

**3rd row:** Knit.

**4th row:** Inc 1 st in first st. Inc 1 st in next st. K1.

**5th row:** Knit.

**6th row:** Inc 1 st in first st. Knit to last 2 sts. Inc 1 st in next st. K1.

**7th row:** Knit.

Rep last 2 rows 7 times more. 21 sts.\*\*

**Next row:** Cast on 4 (5-5-6) sts. Knit to last 2 sts. Inc 1 st in next st. K1.

**Next row:** Knit.



ABBREVIATIONS: [www.patonsyarns.com/glossary](http://www.patonsyarns.com/glossary)

Rep last 2 rows 3 times more. 41 (45-49) sts.

**Next row:** Cast on 3 (3-7-8) sts. Knit to last 2 sts. Inc 1 st in next st. K1. 45 (49-53-58) sts.

Knit 5 rows even.

**Shape side: 1st row:** K1. K2tog. Knit to end of row.

Knit 5 rows even.

Rep last 6 rows 4 times more. 40 (44-48-53) sts.

Cont even until work from last cast on measures same length as Back to marker ending with RS facing for next row. Place a marker at side seam edge of last row.

Knit 6 rows even.

**Shape side: 1st row:** Inc 1 st in first st. Knit to end of row.

Knit 7 rows even.

Rep last 8 rows 4 times more. 45 (49-53-58) sts.

Cont even until work from marker measures 6 (6½-6½-6½) ins [15 (16.5-16.5-16.5) cm] ending with RS facing for next row.

**Armhole shaping:** Cast off 3 (5-6-8) sts beg next row.

Work 1 row even.

Dec 1 st at armhole edge on next and following 7 (7-8-8) alt rows. 34 (36-38-41) sts.

**Sizes M, L and XL only: Shape front: Next row:** Work 2tog. Knit to last 2 sts. Work 2tog (front edge).

Knit 1 row even.

Rep last 2 rows (0-1-3) times more. (34-34-33) sts.

**All sizes: Next row:** Knit to last 2 sts. Work 2tog (front edge).

Knit 1 row even.

Rep last 2 rows until there are 20 (20-23-23) sts, then dec 1 st at front edge on following 4th rows until there are 17 (17-18-18) sts.

Cont even until armhole measures same length as Back to shoulder ending with RS facing for next row. Cast off.

Place markers for 5 buttons along front edge having top button ½ inch [1 cm] below first front dec, bottom button ½ inch [1 cm] above last cast on row of point shaping and rem 3 buttons spaced evenly between.

### RIGHT FRONT

Work from \*\* to \*\* as given for Left Front.

**Next row:** Inc 1 st in first st. Knit to end of row.

**Next row:** Cast on 4 (5-5-6) sts. Knit to end of row.

Rep last 2 rows 3 times more. 41 (45-49) sts.

**Next row:** Inc 1 st in first st. Knit to end of row.

**Next row:** Cast on 3 (3-7-8) sts. Knit to end of row. 45 (49-53-58) sts.

Knit 6 rows even.

**Shape side and work buttonhole:**

**1st row:** K4. Cast off 2 sts. Knit to last 3 sts. Sl1. K1. pssso. K1.

**2nd row:** Knit, casting on 2 sts over cast off sts. Buttonhole made.

Cont as follows, working buttonholes (as above) to correspond to button markers on Left Front.

Knit 4 rows even.

**Next row:** Knit to last 3 sts. Sl1. K1. pssso. K1.

Knit 5 rows even.

Rep last 6 rows 3 times more. 40 (44-48-53) sts.

Cont even until work from last cast on measures same length as Back to marker ending with RS facing for next row. Place a marker at side seam edge of last row.

Knit 6 rows even.

**Shape side: 1st row:** Knit to last 2 sts. Inc 1 st in next st. K1.

Knit 7 rows even.

Rep last 8 rows 4 times more. 45 (49-53-58) sts.

Cont even until work from marker measures 6 (6½-6½-6½) ins [15 (16.5-16.5-16.5) cm] ending with WS facing for next row.

**Armhole shaping:** Cast off 3 (5-6-8) sts beg next row.

Dec 1 st at armhole edge on next and following 7 (7-8-8) alt rows. 34 (36-38-41) sts.

**Sizes M, L and XL only: Shape front: Next row:** Work 2tog (front edge). Knit to last 2 sts. Work 2tog.

Knit 1 row even.

Rep last 2 rows (0-1-3) times more. (34-34-33) sts.

**All Sizes: Next row:** Work 2tog (front edge). Knit to end of row.

Knit 1 row even.

Rep last 2 rows until there are 20 (20-23-23) sts, then dec 1 st at front edge on following 4th rows until there are 17 (17-18-18) sts.

Cont even until armhole measures same length as Back to shoulder ending with RS facing for next row. Cast off.

### LARGE POCKETS (Make 2)

Cast on 10 sts.

**1st row:** (WS). Knit.

**2nd row:** Inc 1 st in first st. Knit to last 2 sts. Inc 1 st in next st. K1.

**3rd row:** Inc 1 st in first st purlwise. Purl to last 2 sts. Inc 1 st in next st purlwise. P1.

**4th row:** As 2nd row. 16 sts.

Purl 1 row.

Cont in stocking st, inc 1 st each end of next and following alt rows until there are 26 sts.

Cont even in stocking st until work from beg measures  $3\frac{3}{4}$  ins [9.5 cm] ending with WS facing for next row. Knit 2 rows. Cast off knitways (WS).

### SMALL POCKET

Cast on 5 sts.

**1st row:** (WS). Knit.

**2nd row:** Inc 1 st in first st. Knit to last 2 sts. Inc 1 st in next st. K1.

**3rd row:** Inc 1 st in first st purlwise. Purl to last 2 sts. Inc 1 st in next st purlwise. P1.

**4th row:** As 2nd row. 11 sts.

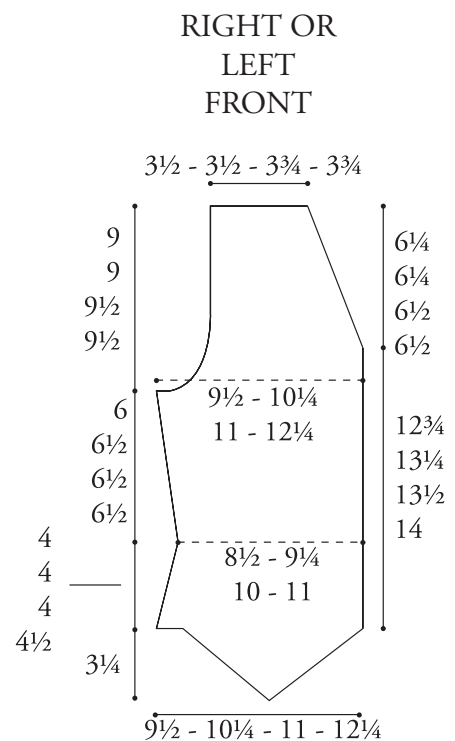
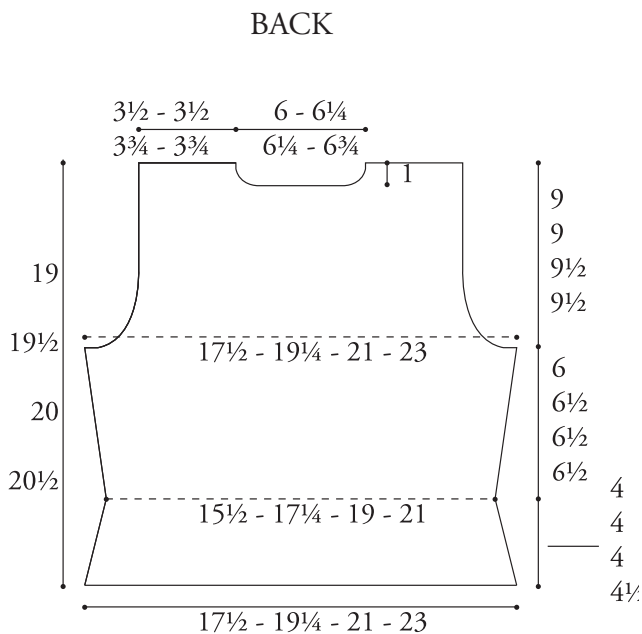
Purl 1 row.

Cont in stocking st, inc 1 st each end of next and following alt rows until there are 17 sts.

Cont even in stocking st until work from beg measures  $2\frac{3}{4}\frac{3}{4}$  ins [7 cm] ending with WS facing for next row. Knit 2 rows. Cast off knitways (WS).

### FINISHING

Sew shoulder and side seams. Using 2 strands of White yarn, work whip-stitch around outer edges of Vest and curved edges of pockets. Sew pockets in position. Sew buttons to correspond to buttonholes.



**Patons**

*... a part of your life.*

P.O. Box 40, Listowel ON N4W 3H3