



Sizes 4 mm (U.S. 6) and 4.5 mm (U.S. 7) knitting needles **or size needed to obtain tension**. 5 stitch holders. 6 buttons.

TENSION

20 sts and 26 rows = 4" [10 cm] with larger needles in stocking st.

STITCH GLOSSARY

www.patonsyarns.com/abbreviations

Alt = Alternate(ing)	P2togtbl = Purl next 2 stitches together through back loops.
Approx = Approximate(ly)	Rem = Remaining
Beg = Begin(ing)	Rep = Repeat
Cont = Continue(ity)	RS = Right side
Dec = Decrease(ing)	Ssk = Slip next 2 stitches knitwise one at a time. Pass them back onto left-hand needle, then knit through back loops together.
Inc(s) = Increase 1 stitch by knitting into front and back of next stitch.	St(s) = Stitch(es)
K = Knit	WS = Wrong side
K2tog = Knit next 2 stitches together	
P = Purl	
Pat = Pat	
P2tog = Purl next 2 stitches together	

INSTRUCTIONS

The instructions are written for smallest size. If changes are necessary for larger sizes, the instructions will be written thus (). Numbers for each size are shown in the same color throughout the pattern. When only one number is given in black, it applies to all sizes.

Stripe Pat (worked in stocking st).

- 1st and 2nd rows:** With A.
- 3rd to 10th rows:** With MC.
- 11th to 20th rows:** Rep 1st to 10th rows once more.
- 21st and 22nd rows:** With A.
- 23rd to 28th rows:** With MC.
- 29th to 44th rows:** Rep 21st to 28th rows twice more.
- 45th and 46th rows:** With A.
- 47th to 50th rows:** With MC.
- 51st to 62nd rows:** Rep 45th to 50th rows twice more.
- 63rd and 64th rows:** With A.
- 65th and 66th rows:** With MC.
- 67th to 86th rows:** Rep 63rd to 66th rows 5 times more.
- 87th to 90th rows:** With A.
- 91st and 92nd rows:** With MC.
- 93rd to 104th rows:** Rep 87th to 92nd rows twice more.
- 105th to 110th rows:** With A.
- 111th and 112th rows:** With MC.
- 113th to 128th rows:** Rep 105th to 112th rows twice more.
- 129th to 136th rows:** With A.
- 137th and 138th rows:** With MC.
- 139rd to 148th rows:** Rep 129th to 138th rows once more. These 148 rows form Stripe Pat.

PATONS® CANADIANA™ TRANSITIONS CARDIGAN (TO KNIT)

SIZES

To fit chest measurement

Extra-Small/Small	28-34" [71-86.5 cm]
Medium	36-38" [91.5-96.5 cm]
Large	40-42" [101.5-106.5 cm]
Extra-Large	44-46" [112-117 cm]
2/3 Extra-Large	48-54" [122-137 cm]
4/5 Extra-Large	56-62" [142-157.5 cm]

Finished bust/chest

Extra-Small/Small	39" [99 cm]
Medium	43" [109 cm]
Large	47" [119.5 cm]
Extra-Large	51" [129.5 cm]
2/3 Extra-Large	57" [144.5 cm]
4/5 Extra-Large	65" [165 cm]

MATERIALS

Patons® Canadiana™ (100 g/3.5 oz; 187 m/205 yds)

Sizes	XS/S	M	L	XL	2/3XL	4/5XL	
Main Color (MC) Navy (10110)	4	5	5	6	6	6	balls
Contrast A Dark Water Blue (10145)	4	5	5	6	6	6	balls

Patons®

Canadiana™

The New Generation / Le Nouvelle Génération

...a part of your life.

P.O. Box 40, Listowel ON N4W 3H3

www.patonsyarns.com



TRANSITIONS CARDIGAN

1 of 3

BACK

With smaller needles and MC, cast on **94** (106-114-126-138-158) sts.

1st row: (RS). *K2. P2. Rep from * to last 2 sts. K2.

2nd row: *P2. K2. Rep from * to last 2 sts. P2.

Rep last 2 rows (K2. P2) ribbing for 2½" [6 cm], ending on a 2nd row and inc **3** (1-3-1-5-5) st(s) evenly across last row. **97** (107-117-127-143-163) sts.

Change to larger needles.

Sizes L, XL, 2/3XL and 4/5XL only: Work 1st to 10th rows of Stripe Pat (1-1-2-2) time(s).

All sizes: Beg with 1st row of Stripe Pat, proceed in Stripe Pat until work from beg measures approx **18½** (18½-19-19½-19½-19½)" [**47** (47-48-49.5-49.5-49.5) cm], ending on a purl row.

Shape armholes: Keeping cont of Stripe Pat, cast off **7** (8-10-11-10-13) sts beg next **2** (2-2-2-4-4) rows. **83** (91-97-105-103-111) sts.

1st row: (RS). K2. ssk. Knit to last 4 sts. K2tog. K2.

2nd row: Purl.

Rep last 2 rows **7** (9-10-12-10-12) times more. **67** (71-75-79-81-85) sts.

Cont even until armhole measures **8** (8½-9-9½-10-10½)" [**20.5** (21.5-23-24-25.5-26.5) cm], ending on a purl row.

Note: When 148 rows of Stripe Pat are complete, break MC and proceed with A only.

Shape shoulders: Cast off **8** (9-10-10-11-11) sts beg next 2 rows, then **9** (9-10-11-11-12) sts beg following 2 rows. Cast off rem **33** (35-35-37-37-39) sts.

LEFT FRONT

With smaller needles and MC, cast on **47** (51-55-59-67-79) sts.

1st row: (RS). *K2. P2. Rep from * to last 3 sts. K3.

2nd row: K1. *P2. K2. Rep from * to last 2 sts. P2.

Rep last 2 rows for 2½" [6 cm], ending on a 2nd row and inc **1** (2-3-4-4-2) st(s) evenly across last row. **48** (53-58-63-71-81) sts.

**Change to larger needles.

Sizes L, XL, 2/3XL and 4/5XL only: Work 1st to 10th rows of Stripe Pat (1-1-2-2) time(s).

All sizes: Beg with 1st row of Stripe Pat, proceed in Stripe Pat until work from beg measures same length as Back to beg of armhole shaping, ** ending on same purl row Stripe Pat as Back.

Shape armhole: Keeping cont of Stripe Pat, cast off **7** (8-10-11-10-13) sts beg next row. **41** (45-48-52-61-68) sts.

Purl 1 row.

Sizes 2/3XL and 4/5XL only: Cast off (10-13) sts beg next row. (51-55) sts. Purl 1 row.

All sizes: Shape neck: 1st row: (RS). K2. ssk. Knit to last 2 sts. K2tog (neck edge).

2nd row: Purl.

Rep last 2 rows **7** (9-10-8-6-8) times more. **25** (25-26-34-37-37) sts.

Sizes XS/S and M only: 1st row: (RS). Knit to last 2 sts. K2tog.

2nd row: Purl.

Rep last 2 rows **2** (0) times more. **22** (24) sts.

Sizes XL, 2/3XL and 4/5XL only:

1st row: (RS). K2. ssk. Knit to last 2 sts. K2tog.

2nd row: Purl.

3rd row: K2. ssk. Knit to end of row.

4th row: Purl.

Rep last 4 rows once more. (28-31-31) sts.

All sizes: Dec 1 st at neck edge only on every following 4th row from previous dec until there are **17** (18-20-21-22-23) sts.

Cont even until armhole measures same length as Back to beg of shoulder shaping, ending on a purl row.

Note: When 148 rows of Stripe Pat are complete, break MC and proceed with A only.

Shape shoulder: Cast off **8** (9-10-10-11-11) sts beg next row. Purl 1 row. Cast off rem **9** (9-10-11-11-12) sts.

RIGHT FRONT

With smaller needles and MC, cast on **47** (51-55-59-67-79) sts.

1st row: (RS). K3. *P2. K2. Rep from * to end of row.

2nd row: *P2. K2. Rep from * to last 2 sts. P2. K1.

Rep last 2 rows for 2½" [6 cm], ending on a 2nd row and inc **1** (2-3-4-4-2) st(s) evenly across last row. **48** (53-58-63-71-81) sts.

Work from ** to ** as given for Left Front, ending on same knit row of Stripe Pat as Back.

Shape armhole: Next row: (WS). Cast off **7** (8-10-11-10-13) sts. Purl to end of row. **41** (45-48-52-61-68) sts.

Sizes 2/3XL and 4/5XL only: Knit 1 row. Cast off (10-13) sts beg next row. (51-55) sts.

All sizes: Shape neck: 1st row: (RS). ssk. (neck edge). Knit to last 4 sts. ssk. K2.

2nd row: Purl.

Rep last 2 rows **7** (9-10-8-6-8) times more. **25** (25-26-34-37-37) sts.

Sizes XS/S and M only: 1st row: (RS). ssk. Knit to end of row.

2nd row: Purl.

Rep last 2 rows **2** (0) times more. **22** (24) sts.

Sizes XL, 2/3XL and 4/5XL only:

1st row: (RS). ssk. Knit to last 4 sts. ssk. K2.

2nd row: Purl.

3rd row: Knit to last 4 sts. ssk. K2.

4th row: Purl.

Rep last 4 rows once more. (28-31-31) sts.

All sizes: Dec 1 st at neck edge only on every following 4th row from previous dec until there are **17** (18-20-21-22-23) sts.

Cont even until armhole measures same length as Back to beg of shoulder shaping, ending on a knit row.

Note: When 148 rows of Stripe Pat are complete, break MC and proceed with A only.

Shape shoulder: Cast off **8** (9-10-10-11-11) sts beg next row. Knit 1 row. Cast off **9** (9-10-11-11-12) sts.

 Patons®

Canadiana™

The New Generation / Le Nouvelle Génération

...a part of your life.

P.O. Box 40, Listowel ON N4W 3H3

www.patonsyarns.com



TRANSITIONS CARDIGAN

2 of 3

SLEEVES

With smaller needles and MC, cast on **46 (46-50-50-50-54)** sts. Work 2½" [6 cm] in (K2, P2) ribbing as given for Back, ending on a 2nd row and inc 5 sts evenly across last row. **51 (51-55-55-55-59)** sts. Change to larger needles and proceed in Stripe Pat, inc 1 st each end of next and every following **10th (8th-8th-6th-6th-4th)** row until there are **71 (69-75-67-81-69)** sts.

Sizes M, L, XL, 2/3XL and 4/5XL only: Inc 1 st each end of every following **(10th-10th-8th-8th-6th)** row until there are **(75-79-81-85-91)** sts.

All sizes: Cont even until work from beg measures approx **19 (19-19-18-18-17½)" [48 (48-48-45.5-45.5-44.5) cm]**, ending on a purl row.

Note: When 148 rows of Stripe Pat will be complete, break MC and proceed with A only.

Shape top: Cast off **7 (8-10-11-10-13)** sts beg next 2 rows. **57 (59-59-59-65-65)** sts.

Sizes L, XL, 2/3XL and 4/5XL only: **1st row:** (RS). K2. ssk. Knit to last 4 sts. K2tog. K2.

2nd row: Purl.

3rd row: Knit.

4th row: Purl.

Rep last 4 rows **(1-2-1-2)** time(s) more. **(55-53-61-59)** sts.

All sizes: **1st row:** (RS). K2. ssk. Knit to last 4 sts. K2tog. K2.

2nd row: Purl.

Rep last 2 rows **14 (17-14-13-14-11)** times more. **27 (23-25-25-31-35)** sts. Proceed as follows:

1st row: (RS). K2. ssk. Knit to last 4 sts. K2tog. K2.

2nd row: P2. P2tog. Purl to last 4 sts. P2togtbl. P2.

Rep last 2 rows **3 (2-2-2-3-4)** times more.

Cast off rem **11 (11-13-13-15-15)** sts.

FINISHING

Pin garment pieces to measurements and cover with damp cloth leaving cloth to dry.

Sew shoulder seams. Sew side and sleeve seams. Sew in sleeves.

Button and Buttonhole Band: With smaller needles and MC, cast on 9 sts.

1st row: (RS). K2. (P1, K1) 3 times. K1.

2nd row: K1. (P1, K1) 4 times.

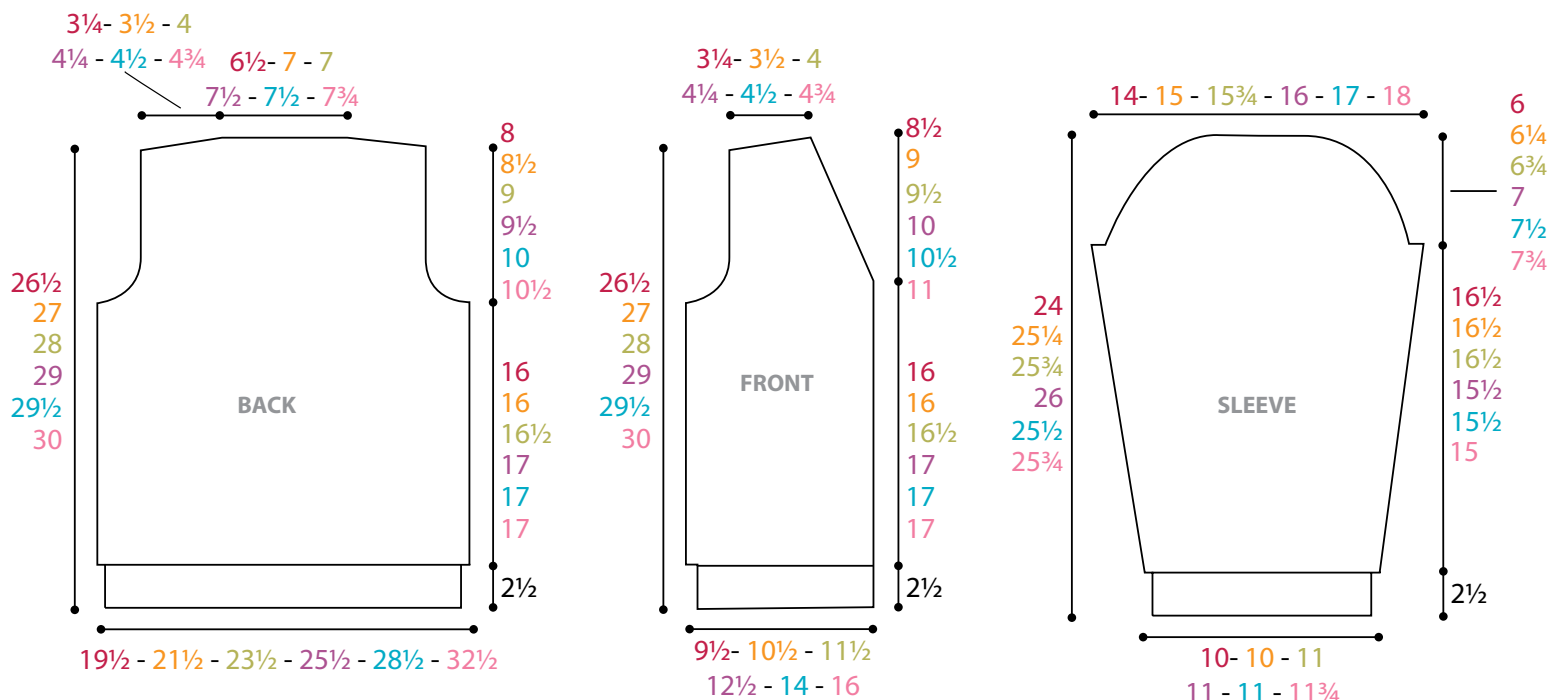
Rep last 2 rows until Band, when slightly stretched, measures length to fit up Right Front, sewing in place as you knit. Place markers on band for 6 buttons, having bottom button ½" [1 cm] above lower edge, top button ½" [1 cm] below first front dec and rem 4 buttons spaced evenly between. Cont in ribbing to fit up neck edge, across back neck edge and down opposite neck edge to first button marker.

Make Buttonholes: **1st row:** (RS). Rib 4. Cast off 2 sts. Rib to end of row.

2nd row: Rib, casting on 2 sts over cast off sts.

Cont in ribbing to end of Left Front. Cast off in ribbing.

Sew on buttons to correspond to buttonholes.



Patons®

Canadiana™

The New Generation / Le Nouvelle Génération

...a part of your life.

P.O. Box 40, Listowel ON N4W 3H3

www.patonsyarns.com



TRANSITIONS CARDIGAN

3 of 3